

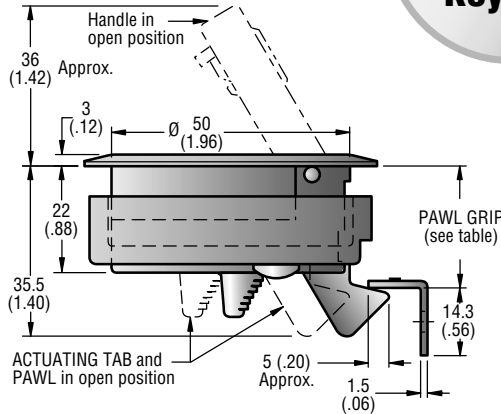
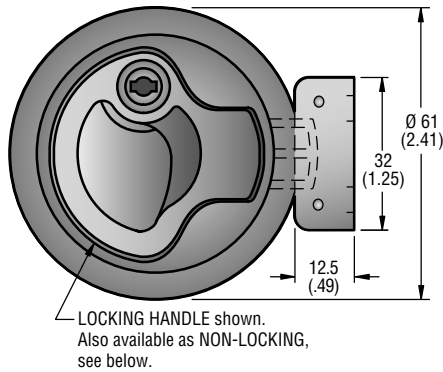
# Southco® Push to Close Latches

## Flush Pull

- Single, round-hole installation
- Keylocking style restricts access
- Corrosion-resistant materials
- Inside actuation when locked or unlocked
- Pull to open

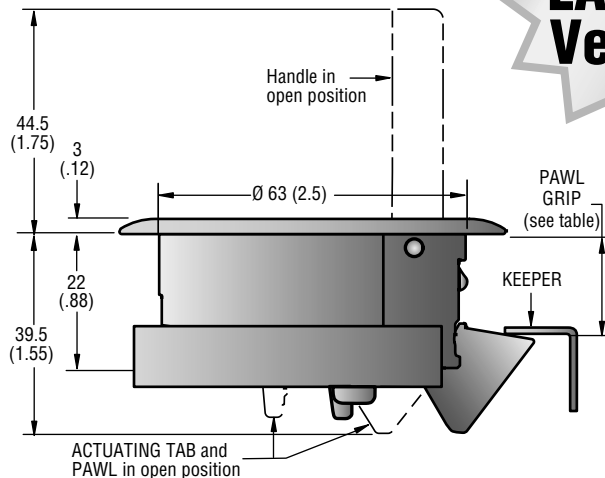
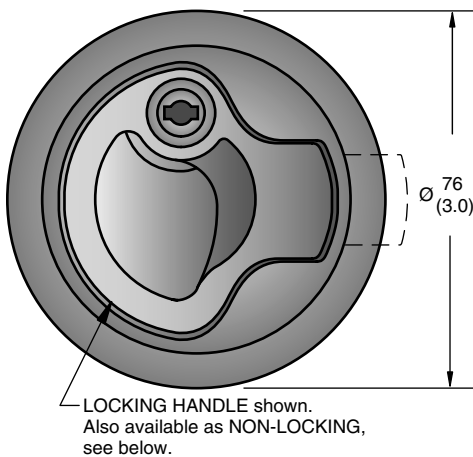
†  
**Available  
3 Wafer  
Keylock**

## Medium Size



**NEW  
LARGER  
Version**

## Large Size



PART NUMBER								PANEL THICKNESS A		MOUNTING BRACKET HEIGHT E	MOUNTING SCREW LENGTH	PAWL GRIP ±0.5 (±0.2)	ØB	C ±1.5 (±.06)	D ±1 (±.04)
Non-locking				Locking**				MIN.	MAX.						
Stainless Steel	Black	White	Beige	Stainless Steel	Black	White	Beige								
<b>Medium Size</b>															
M1-61-8 •	M1-61 •	M1-61-1 •	M1-61-7 •	M1-41-8 • †	M1-41 •	M1-41-1 •	M1-41-7 •	2 (.075)*	7 (.275)	14 (.55)	16 (.63)	25.5 (1.00)	50 <sup>+1.2</sup> <sub>-0</sub> 2.0 <sup>+0.015</sup> <sub>-.031</sub>	41 (1.62)	33 (1.30)
M1-62-8 •	M1-62 •	M1-62-1 •	M1-62-7 •	M1-42-8 • †	M1-42 •	M1-42-1 •	M1-42-7 •	7 (.275)	12 (.475)	14 (.55)	20 (.81)				
M1-63-8 •	M1-63 •	M1-63-1 •	M1-63-7 •	M1-43-8 • †	M1-43 •	M1-43-1 •	M1-43-7 •	12 (.475)	17 (.675)	3.8 (.15)	16 (.63)				
M1-64-8 •	M1-64 •	M1-64-1 •	M1-64-7 •	M1-44-8 • †	M1-44 •	M1-44-1 •	M1-44-7 •	17 (.675)	22 (.875)	3.8 (.15)	20 (.81)				
<b>Large Size</b>															
M1-25-61-18 •	-	-	-	M1-25-41-18 •	-	-	-	2 (.075)*	12 (.475)	22 (.875)	-	20 (.75)	63.5 ±0.5	52.5 (2.07)	27 (1.1)
M1-25-61-28 •	-	-	-	M1-25-41-28 •	-	-	-	2 (.075)*	12 (.475)	22 (.875)	-	32 (1.25)			39 (1.54)
M1-25-62-18 •	-	-	-	M1-25-42-18 •	-	-	-	12 (.475)	22 (.875)	12 (.475)	-	20 (.75)			27 (1.1)
M1-25-62-28 •	-	-	-	M1-25-42-28 •	-	-	-	12 (.475)	22 (.875)	12 (.475)	-	32 (1.25)			39 (1.54)

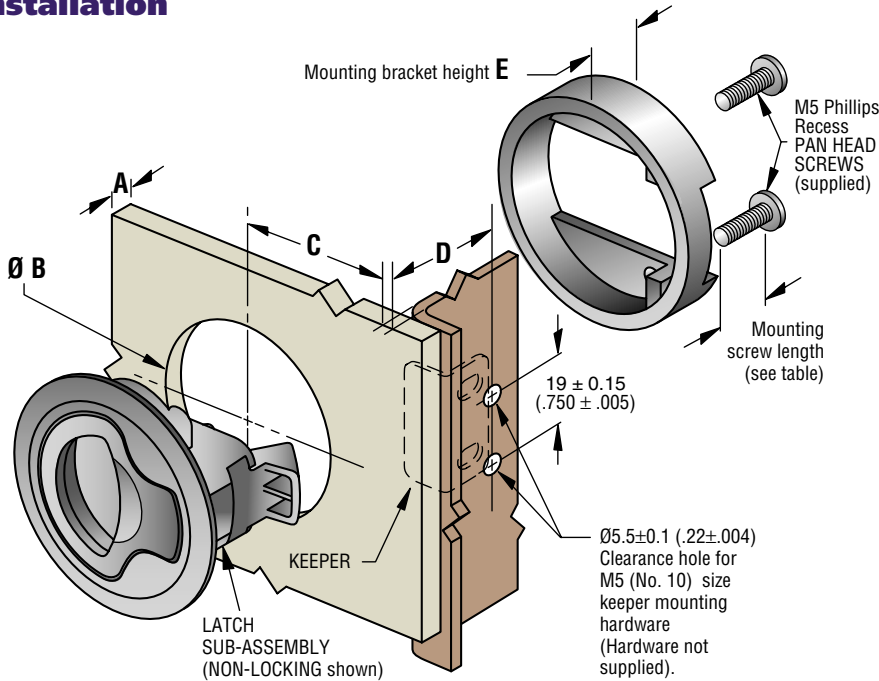
\*M1-X1, M1-X1-1, M1-X1-7 and M1-X1-8 can be mounted in a MIN. panel thickness of 1 (.040) but require shorter mounting screws, not supplied.

\*\*Two keys supplied per latch.

† For 3 wafer keylock in Medium Size Stainless Steel Version only, substitute a 7 for the 4 in the part number, M1-71-8, M1-72-8, M1-73-8 or M1-74-8.

Push to Close Latches  
Visible

## Installation



## Product Strength Guidelines

### Medium Size

Maximum recommended static load exerted by keeper on pawl:

PC/PBT Blend: 270 N (60 lbs.)

Stainless Steel: 835 N (187 lbs.)

Maximum tightening torque on mounting screws:  
1.7 Nm (15 in.-lbs.)

Operating Temperature Range: -18 °C (0 °F) to 60 °C (140 °F)

Flammability Rating: UL94-HB (PC/PBT Blend)

### Large Size

Maximum recommended static load exerted by keeper on pawl:

Stainless Steel: 1165 N (262 lbs.)

Maximum tightening torque on mounting screws:  
1.7 Nm (15 in.-lbs.)



## Material and Finish

### Plastic Version

HOUSING, HANDLE AND MOUNTING BRACKET: PC/PBT blend, black, white or beige.

LOCK: Mineral filled nylon, black.

PAWL: Acetal, black, white or beige.

PIN: 302 Stainless steel, passivated plus black oxide.

KEYS, SPRING, KEEPER AND SCREWS: 300 Series stainless steel, passivated.

### Stainless Steel Version

HOUSING, HANDLE, PAWL, LOCK PLUG and MOUNTING BRACKETS: CF-8M stainless steel (nominal cast equivalent of 316 SS), electropolished.

LOCK PLUG O-RING: Buna-N, natural.

LOCK PLUG RETAINING RING: 420 Stainless steel.

PIN: 302 Stainless steel, passivated.

KEYS, SPRINGS, KEEPER AND SCREWS: 300 Series stainless steel, passivated.

## Operation

# 1



To close, a firm push on the panel...

# 2



latches the door.

# 3



To open, simply pull the flush handle or slide inside activation tab.

millimeter (inch)  
millimeter  
(inch)

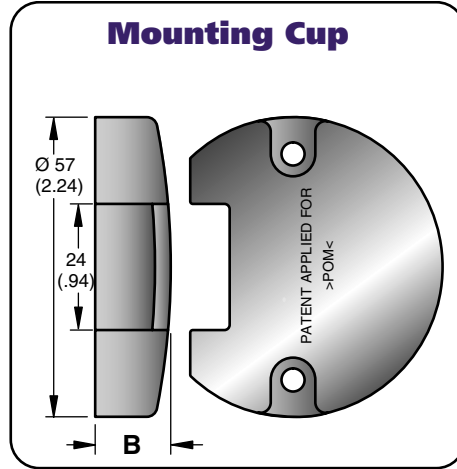
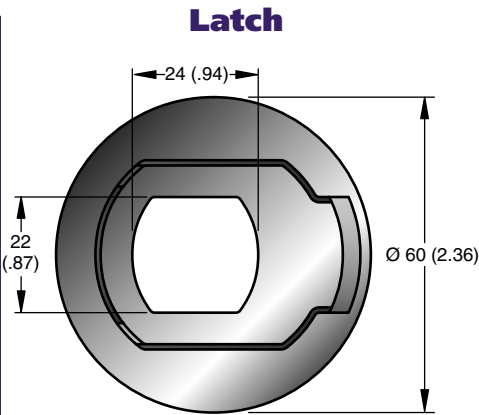
Dimensions without tolerances are for reference only.

# Southco® Push to Close Latches

## Flush Simplicity

- Pull to open
- Corrosion-resistant materials
- Very low profile
- Single, round-hole installation

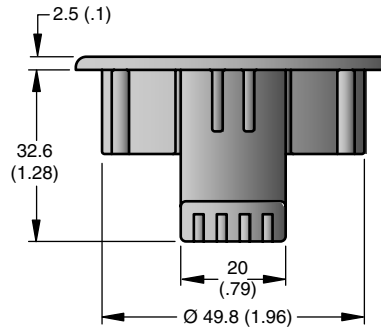
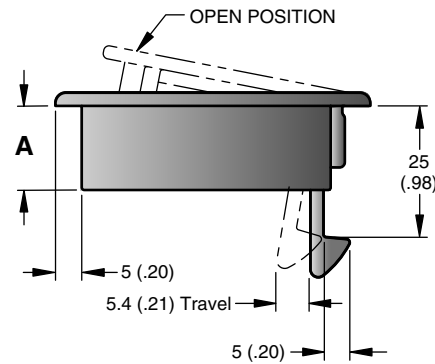
Push to Close Latches Visible



Lift the handle to open...

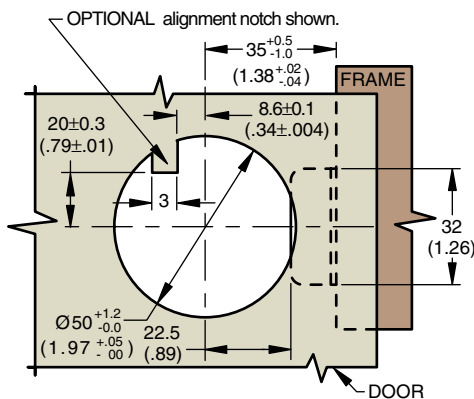


Push the door to latch.



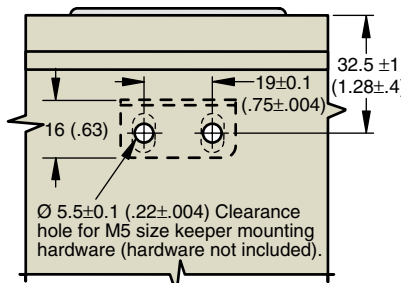
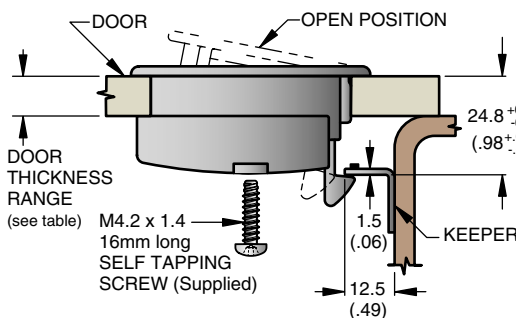
DOOR THICKNESS RANGE	A	B	PART NUMBER
1 (.04) - 7 (.28)	16 (.63)	20.4 (.80)	M1-81 •
7 (.28) - 13 (.51)	16 (.63)	14.3 (.57)	M1-82 •
13 (.51) - 19 (.75)	22 (.87)	14.3 (.57)	M1-83 •

## Panel Preparation



Align latch with frame, secure with mounting cup and self tapping screws (supplied with all parts).

**CAUTION:** Do not over-tighten screws.



## Material and Finish

LATCH and MOUNTING CUP: Acetal, black.  
KEEPER: 304 Stainless steel, passivated.  
SCREWS: 302 Stainless steel, passivated.

Minimum Pawl Engagement: 3.0 (.12)

## Product Strength Guidelines

(To assist in your product selection; samples are available for your evaluation.)

Maximum static load: 135 N (30 lbs.)  
Average ultimate load: 175 N (39 lbs.)  
Maximum tightening torque on mounting screws: 0.5 to 0.8 N•m (4.4 to 7.1 in.-lbs.)

**Flammability Rating:** UL94-HB  
**Operating Temperature Range:** -40°C (-40°F) to 80 °C (176°F)

millimeter (inch)  
millimeter (inch)

Dimensions without tolerances are for reference only.